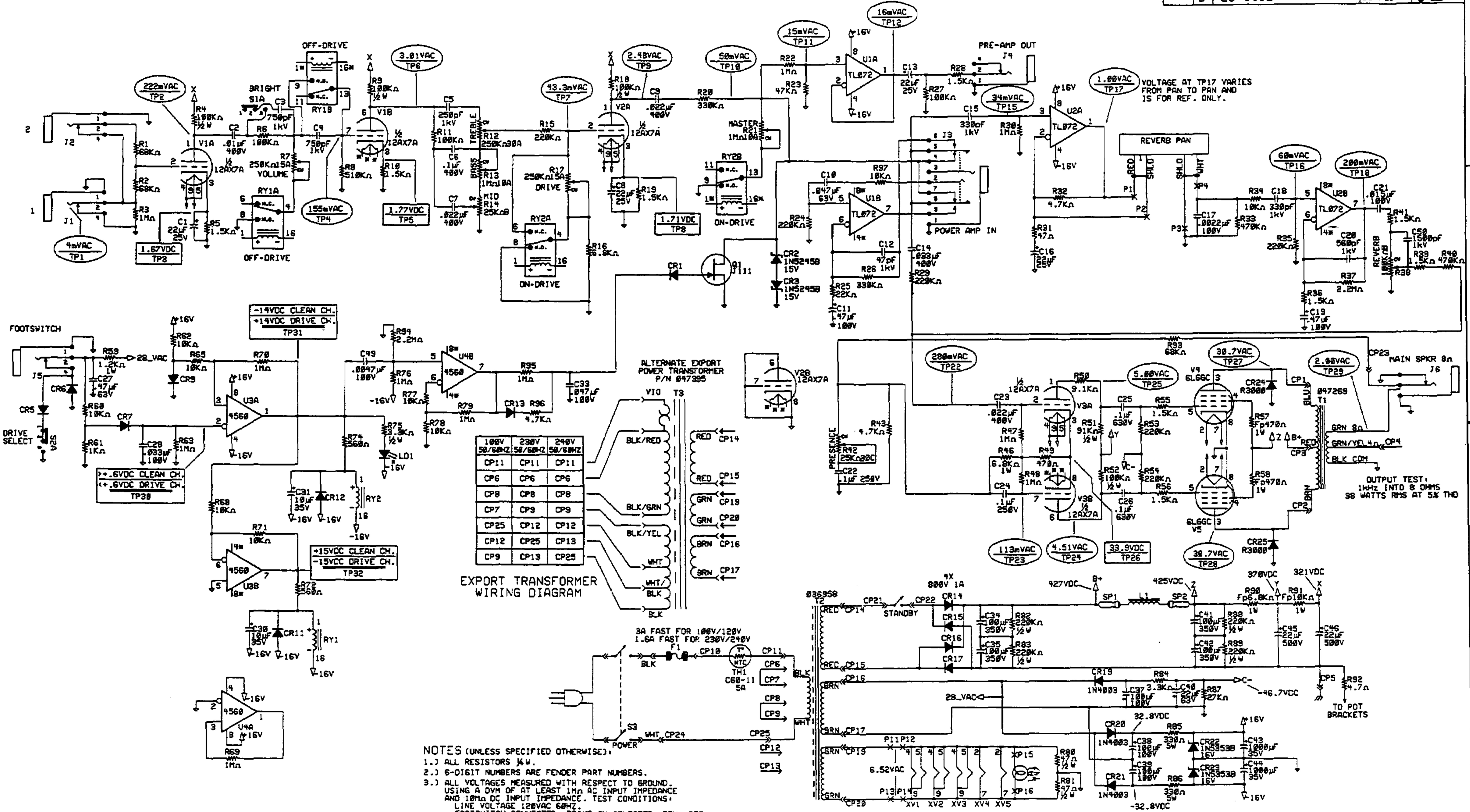


REVISIONS				
ZONE	REV.	DESCRIPTION	DATE	APPROVED
	A	RELEASED PR #246	17-SEP-93	PW
	B	EC 1067	03-NOV-93	PW
	C	EC 1084	09-DEC-94	PW
	D	EC 1112	08-FEB-94	PW



- NOTES (UNLESS SPECIFIED OTHERWISE):
- 1.) ALL RESISTORS 1/4W.
 - 2.) 6-DIGIT NUMBERS ARE FENDER PART NUMBERS.
 - 3.) ALL VOLTAGES MEASURED WITH RESPECT TO GROUND, USING A DVM OF AT LEAST 1MΩ AC INPUT IMPEDANCE AND 10MΩ DC INPUT IMPEDANCE. TEST CONDITIONS: LINE VOLTAGE 120VAC 60HZ, FOOTSWITCH CONNECTED, DRIVE CH SELECTED, REV. OFF, ALL CONTROLS 50% ROT, EXCEPT REVERB 0%. SUPPLY AND BIAS VOLTAGES MAY VARY +5%, -10%. SIGNAL VOLTAGES MAY VARY ±20%.
 - 4.) X WITH INSTANCE NAME = FLYWIRE CONNECTION.
 - 5.) LAST INSTANCES: TY2, LD1, U4, A1, TH1, R97, C59, CR25, T2, S3, SP25, V5, LA1, P16, J7, F1.
 - 6.) INSTANCES NOT USED: CR4, 8, 10, 18, C29, 32, 36, 47, 48, 17, R44, 45, 64, 65, 67, 73, TP13, 14, 19, 20, 21, 33, 34.
 - 7.) ALL DIODES 1N4448.

DATABASE FILE: 7246S.DBF CHECKED BY: DATE: 2-10-94 APPROVED: DATE: 2-10-94 TOLERANCES: UNLESS OTHERWISE SPECIFIED: R: ±0.1% R: ±0.5% R: ±1% R: ±5% ANGLES: ±0.500°	PROPRIETARY THIS DRAWING DOCUMENT CONTAINS INFORMATION WHICH IS PROPRIETARY TO AND IN THE POSSESSION OF THE FENDER MUSICAL INSTRUMENTS CO. AND MAY NOT BE USED, REPRODUCED OR DISCLOSED IN ANY MANNER WITHOUT THE EXPRESS WRITTEN CONSENT FROM FENDER MUSICAL INSTRUMENTS CO., 1130 COLUMBIA ST., BREA, CALIFORNIA 92621.	MUSICAL INSTRUMENTS 1130 Columbia Street Brea, CA 92621 TITLE: BLUES DELUXE SCHEMATIC DIAGRAM SIZE: D DRAWN: P. MIERS DRAWING NUMBER: 047019 REV. D NEXT HIGHER ASSEMBLY: BLUES DELUXE SCALE: CREATED: 23-SEP-93 PLOTTED: 09-FEB-94 SHEET 1 OF 1
---	---	--

PART NO. 004702000 SHEET